

2.0M CMOS HD Box IP Camera ZNB-6000 HD-TIP Series

Specifications

This specification applies to **ZNB-6000 HD-TIP** /(-W)/(-POE)/(-IR)Series.

1.Basic Description

ZNB-6000 HD-TIP series based on IP network,achieve network digital surveillance,transmit clear, smooth video surveillance images.

ZNB-6000 HD-TIP series use Mega Pixels 1/3" Progressive Scan CMOS and advanced H.264 codec, Maximum



digital images resolution:1920*1080.Excellent low light performance.Use 3D smart noise reduction function,In the low-light environment, reduce noise,ensure the edge of the moving object clear.Supports dual streaming, Transmit high-quality H.264 video in the low-bandwidth network environment smooth , also supports MJPEG compression;Support DC drive auto iris lens;Support audio, alarm function, provide third-party systems integration interface.

The series are suitable for public security, banking, ports, schools, buildings, residential zone and other places, Have excellent image reproduction capability in the low illumination environment.It is a good choice for digital HD video network surveillance .

3.Expand Type

Basic: ZNB-6000 HD-TIP

POE: ZNB-6000 HD-TIP -P

ICR: ZNB-6000 HD-TIP -ICR

POE ICR: ZNB-6000 HD-TIP -POE-ICR

WIFI ICR: ZNB-6000 HD-TIP -W-ICR

4.Key Features

- ◆ Maximum Pixels: 2.0M, Max resolution: 1920×1080, output Real-time Full HD 1080P image
- ◆ Excellent low light performanc
- ◆ 3D smart noise reduction function
- ◆ 1/3" Progressive Scan CMOS,Capture motion images without jagged
- ◆ H.264/MJEG is optional, dual streaming,high compression ratio,and high quality.
- ◆ Auto iris, auto electronic shutter
- ◆ High signal-to-noise ratio,Clear image
- ◆ Built-in MIC,two-way talking
- ◆ 1 channel CVBS video output
- ◆ Support Micro SDHC storage; SD2.0 standard,maximum storage 32G
- ◆ Power supply:DC12V/POE (Optional)
- ◆ Support 4 area privacy mask
- ◆ Support motion detection, network fault detection and alarm video, image snapping
- ◆ Built-in Web server enables the use of a standard Web browser for viewing and management.
- ◆ Support ONVIF protocol

5.Applications Scenarios

Applicable for Finance, telecommunications, government, schools, airports, factories, hotels, museums, transportation etc.

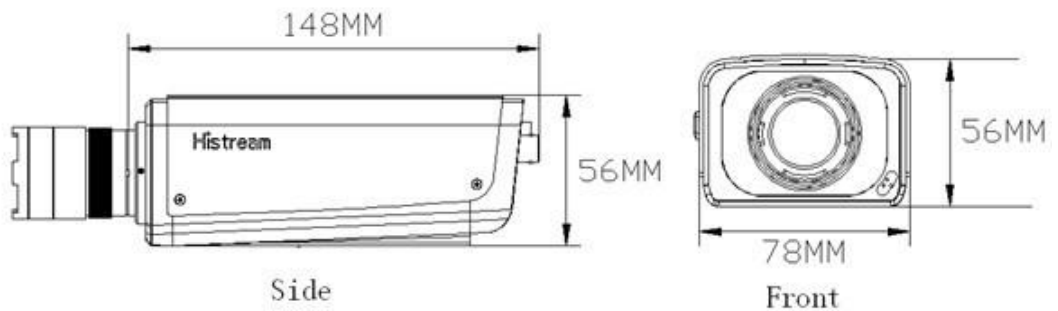
6. Technical parameters

Model		ZNB-6000 HD-TIP /(-W)/(-POE)/(-ICR)
Hardware		
Network chip	Lan	Realtek 10/100M BASE-TX Self-adapting
Sensor		1/3" Progressive Scan CMOS
Effective Pixels		1920(H)×1080(V)
Min.Illumination		Color Mode:0.1Lux@F1.2;B/W Mode:0.005Lux@F1.2
S/N		≥50db(AGC OFF)
Day/night		Auto(-ICR: Auto ICR)
Auto Electronic Shutter		1/25—1/100000sec,Slow shutter:1/2,1/4,1/8,1/12
Interfaces		
Optical lens	Interfaces	CS/C
	Lens	Auto Iris(DC drive)
	Focal Length	Optional
Audio Talkback		1 channel MIC input,Built-in or external access
Audio Output		1 channel linear output
CVBS video output		1 channel ,BNC connector
Storage Interface		Micro SDHC card supports video storage and image snapping; SD2.0 standard,maximum storage 32G(Optional)
Network Interface	Lan	10/100M BASE-TX,RJ-45 connector
I/O		1-channel input, Normally Open/Normally Close modes adjustable; 1-channel output, 120VAC 1A/24VDC 1A,1 RS485 interface
Audio video encoding		
Video Compression		H.264 Main Profile; MJPEG/JPEG Baseline
Resolution	Master Streaming	1920*1080,1-25(or30)fps/sec 1280*960,1-25(or30)fps/sec 1280*720,1-25(or30)fps/sec
	Second Streaming	640*480,1-25fps/sec 320*240,1-25fps/sec 160*112,1-25fps/sec
Video Bitrate		32Kbps~16Mbps,Supports CBR/VBR
Title OSD		Supports channel name, date, and video stream information overlay;OSD location is adjustable
Audio Compression		G.711,G.726, support 32 K stereo
Data transmission and storage		
Data storage		Video and Image
Recording		Recording set up to record by motion trigger,alarm trigger, manual, or schedule

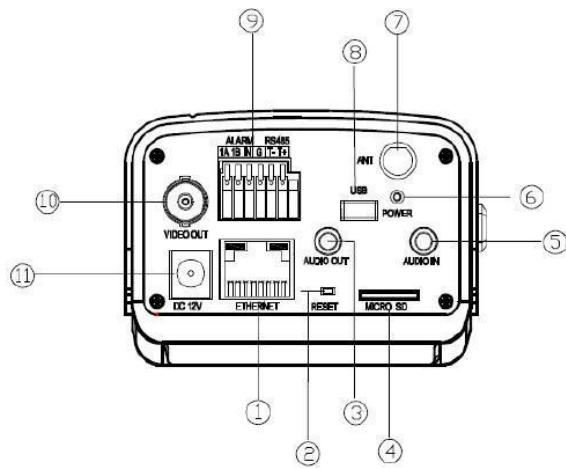
Alarm Output	FTP.E-mail, Explorer, Software	
Network protocol	TCP/IP.UDP.RTP.RTSP.RTCP.HTTP.DNS.DDNS.DHCP.FTP.NTP.PPPOE.SMTP.ICMP.UPNP	
Wireless protocols(-W)	802.11b/g.Supports WEP,WPA,WPA2("-w" model supports)	
ONVIF protocol	Support	
Remote View	Computer	IE 6.0 or up, max 10user
	Mobile Phone	Windows Mobile.Symbian.iPhone
General Parameters		
Operating Temperature	-10℃ - +55℃	
Operating Humidity	0% - 90%	
Power	DC12V/POE(IEEE 802.3af)(Optional)	
Power Consumption	7W(MAX)	
Dimension	148(L) * 78(W) *56(H)mm(Lens not included)	
Weight	0.56KG	

7.Dimension Drawing:

Dimension Drawing:



Interface:



- ① RJ45
- ② AUDIO OUT
- ③ AUDIO IN
- ④ MICRO SD CARD SLOT
- ⑤ RESET
- ⑥ ANT
- ⑦ POWER
- ⑧ USB
- ⑨ ALARM IN/OUT
- ⑩ VIDEO OUT
- ⑪ DC12V INPUT